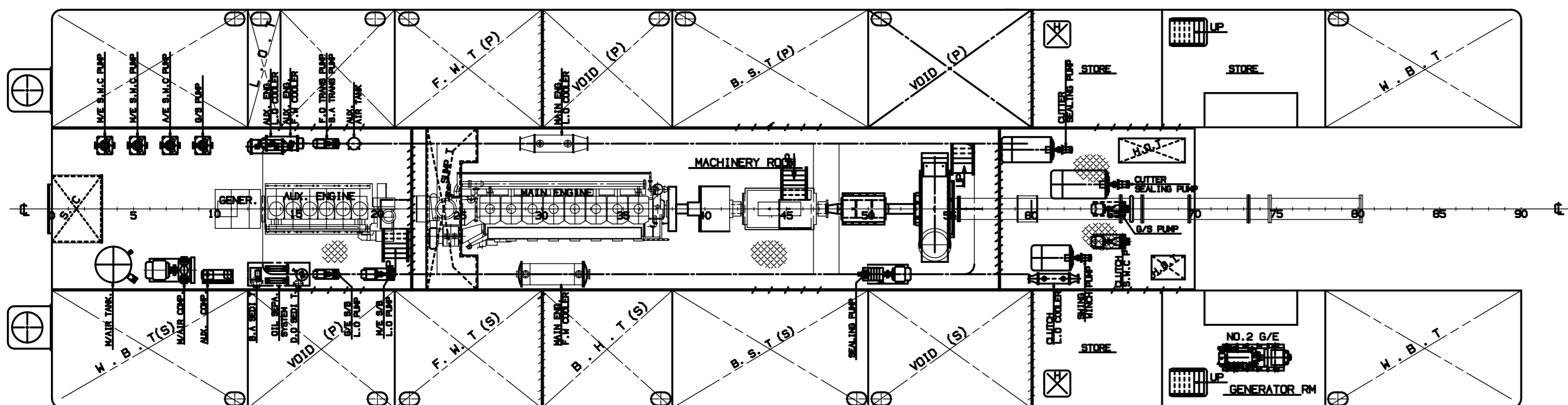
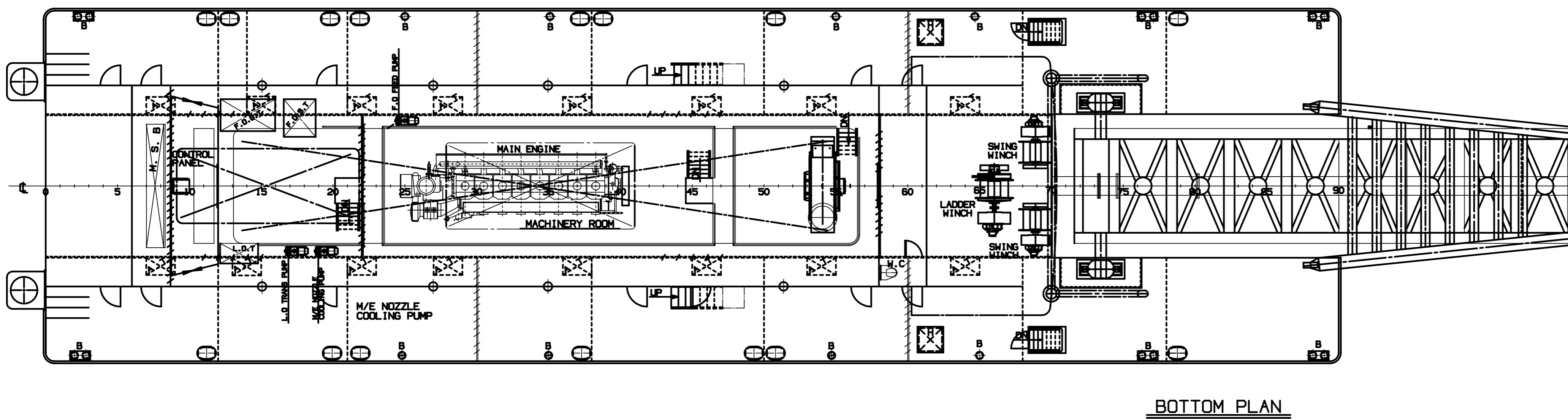
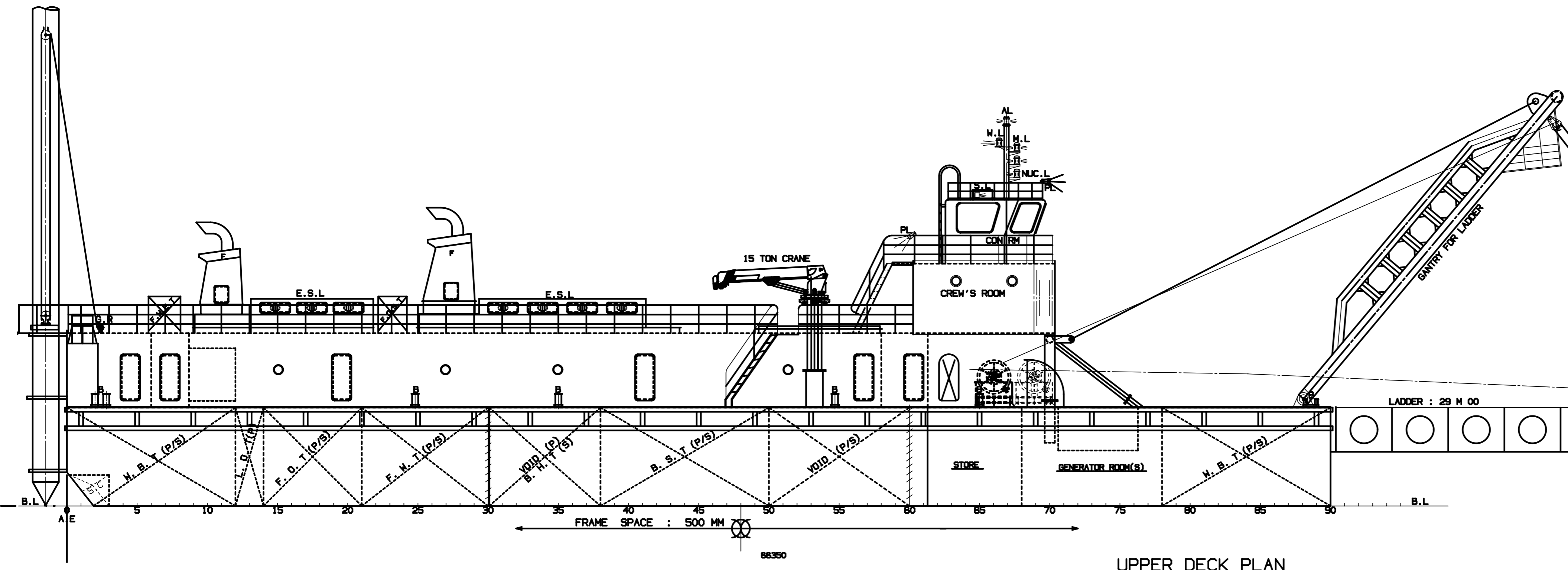


BIBLIOGRAPHY

MACHINERY LIST

NO.	DESCRIPTION	TYPE	CAPACITY	Q'TY	REMARKS
1	MAIN ENGINET	4CYCLE SINGLE ACTING DIESEL ENGINE	4000PS X 400RPM	1	NIIGATA BAM40X
2	REDUCTION GEAR	HYD. CLUTCH		1	
3	NO. 1 GENERATOR SET	DRIP-PROOF SELF REGULATING	1270PSX720RPMX880kwx445V	1 SET	NIIGATA BL25AX
4	HARBOUR GENERATOR SET	DRIP-PROOF SELF REGULATING	150PSX1800RPMX100kwx220V	1 SET	YANMAR SHAN-N
5	SAND PUMP	HORIZONTAL CENTRIFUGAL	6000m³/hX710/850AX392RPM	1	KURI MOTO
6	M/E S.W PUMP	VERTICAL CENTRIFUGAL	200m³/hX30mX1760RPMX37kw	1	VCS-B
7	M/E S.W PUMP	VERTICAL CENTRIFUGAL	260m³/hX20mX1760RPMX30kw	1	FBV-200 WFM054
8	G/E S.W PUMP	VERTICAL CENTRIFUGAL	40/70m³/hX80/30mX 1760RPMX18.5kw	1	NANIWA PUMPO
9	G/S & BILGE PUMP	VERTICAL CENTRIFUGAL	40/70m³/hX80/30mX 1760RPMX18.5kw	1	NANIWA PUMPO
10	CLUTCH S.W PUMP	HORIZONTAL CENTRIFUGAL	78m³/hX20mX1760RPMX11kw	1	CPKC80-32
11	공심보트 배수 및 보충용 배수펌프	HORIZONTAL CENTRIFUGAL	180m³/hX30mX1760RPMX18.5kw	1	
12	SEALING PUMP FOR SAND PUMP	HORI'L MULTISTAGE TUBINE	60m³/hX115mX1760RPMX37kw	1	HTM80/5
13	CUTTER HYD. PUMP	HYDRAULIC	350/500CCX1160RPMX200kw	2	A2F355 A7V500MA
14	SWING WINCH HYD PUMP	HYDRAULIC	250CCX1180RPMX150kw	1	A7V250E
15	M/E S/B L.O PUMP	HORIZONTAL GEAR	20m³/hX18kg/cm²X1160RPMX11kw	1	
16	G/E S/B L.O PUMP	HORIZONTAL GEAR	6m³/hX8kg/cm²X1140RPMX3.7kw	1	LGM40-5A
17	BEARING & THRUST L.O PUMP	HORIZONTAL GEAR	12m³/hX8kg/cm²X1180RPMX5.5kw	1	NLG12
18	B.A TRANS. PUMP	HORIZONTAL GEAR	12m³/hX8kg/cm²X1180RPMX5.5kw	1	DHLM60
19	F.O TRANS. PUMP	HORIZONTAL GEAR	6m³/hX8kg/cm²X1140RPMX3.7kw	1	LGM40-5A
20	L.O TRANS. PUMP	HORIZONTAL GEAR	6m³/hX8kg/cm²X1140RPMX3.7kw	1	LGM40-5A
21	M/E NOZZLE COOLING PUMP	HORIZONTAL GEAR	2m³/hX8kg/cm²X1160RPMX3.7kw	1	
22	M/E BUNKER A BOOSTER PUMP	HORIZONTAL GEAR	6m³/hX8kg/cm²X1140RPMX3.7kw	1	
23	F.O FEED PUMP	HORIZONTAL GEAR	2m³/hX8kg/cm²X1150RPMX3.7kw	1	
24	F.W PUMP	HORIZONTAL CENTRIFUGAL	2.4m³/hX24mX0.5kw	1	
25	M/E L.O COOLER	SHELL TUBE	50m³	1	OC
26	M/E F.W COOLER	SHELL TUBE	70m³	1	FC
27	G/E L.O COOLER	SHELL TUBE	00m³	1	
28	G/E F.W COOLER	SHELL TUBE	00m³	1	
29	M/AIR COMPRESSOR	2-STAGE VERTICAL	60m³/hX30kg/cm²X1171RPMX15kw	1	AHM60
30	A/AIR COMPRESSOR	2-STAGE VERTICAL	8.3m³/hX30kg/cm²X3.7kw	1	
31	M/AIR TANK	CYLINDRICAL	1300LX25kgf/Cm²	1	KANZAWA
32	A/AIR TANK	CYLINDRICAL	200LX20kgf/Cm²	2	
33	MAIN SWITCH BOARD	DEAD FRONT, RIP-PROOF	AC220Vx1500, 185, 51KVA DC 24Vx200AH	1	
34	BATTERY	LEAD-ACID	DC 24V x 200AH	2	
35	OIL SEPARATOR	FILTERING	1.00m³/h x 2kg/cm² x 0.4kw	1	UST-10
36	SEWAGE PUMP			1	HDS-250
37	CUTTER HYD. MOTOR	HYD. MOTOR	14TON	4	NRS-3150
38	LADDER WINCH	HYD. MOTOR	600CCX58KW	1	
39	SWING WINCH	HYD. MOTOR	20TON	2	NRH-1350
40	SPUD WINCH	HYD. MOTOR	20TON	2	NRH-1350
41					



SHIP BUILDER: KOSCO	YARD NO.:	
SHIP NAME:	OWNER: 해북산업(주)	
PROJECT: L 45m CLASS PUMP DREDGER		
APP. BY:	MACHINERY ARRANGEMENT	
SUB. BY:		
CHK. BY:		
DWN. BY: HanHyung		
SCALE : NONE	DATE : 2009. 07.	DWG. NO. : 1-006
BUSAN SHIP DESIGN & ENGINEERING CO., 2KA 58-2, DAEKYO-DONG, YONGDO-GU, BUSAN, KOREA		